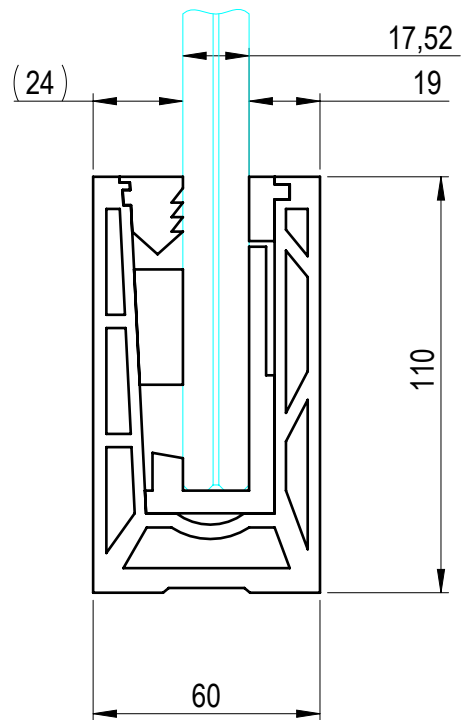


A
SCALE: 1 : 2



R FIX SKU: GPR1

Beside Glass balustrade aluminum profile, rubber gaskets and plastic parts (for glass thickness 17,52mm) must be ordered.

	MATERIAL		WEIGHT	DEBURR AND BREAK SHARP EDGES		REVISION	DATE	
	6060F22 T6		6.895 Kg	DO NOT SCALE DRAWING			14.07.2025	
SURFACE PROTECTION		MACHINING	THERMAL CUTTING	WELDING		SCALE	FORMAT	
-		ISO 2768 mK	ISO 9013 441	ISO 13920 BF		1:5	A4	
NAME		SIGNATURE	PART NO.					
Designed by		A. Menkins	105-01410-03					
Drawn by		A. Menkins	DESCRIPTION				SHEET 1/1	
Technical ref.			Balustrade profile 1					